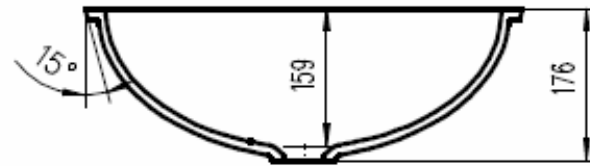
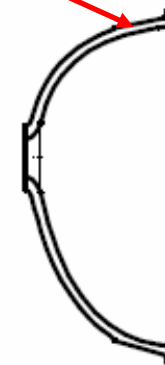
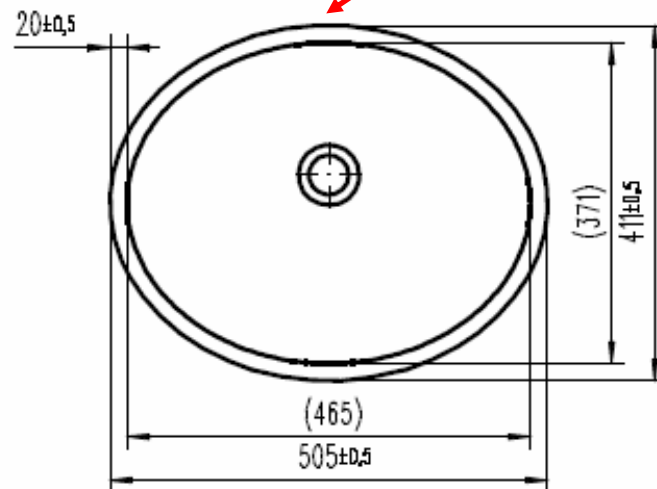


2008 Drawings for Casted Shape And drain fitting kit sets

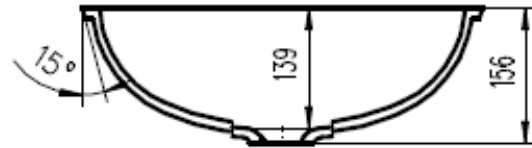
CB465



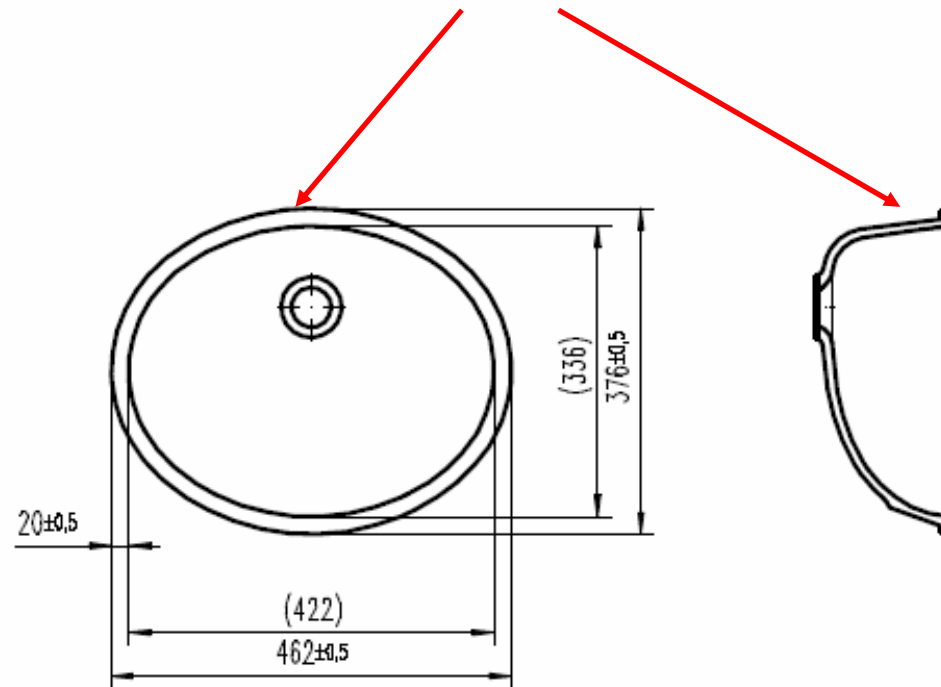
Overflow hole



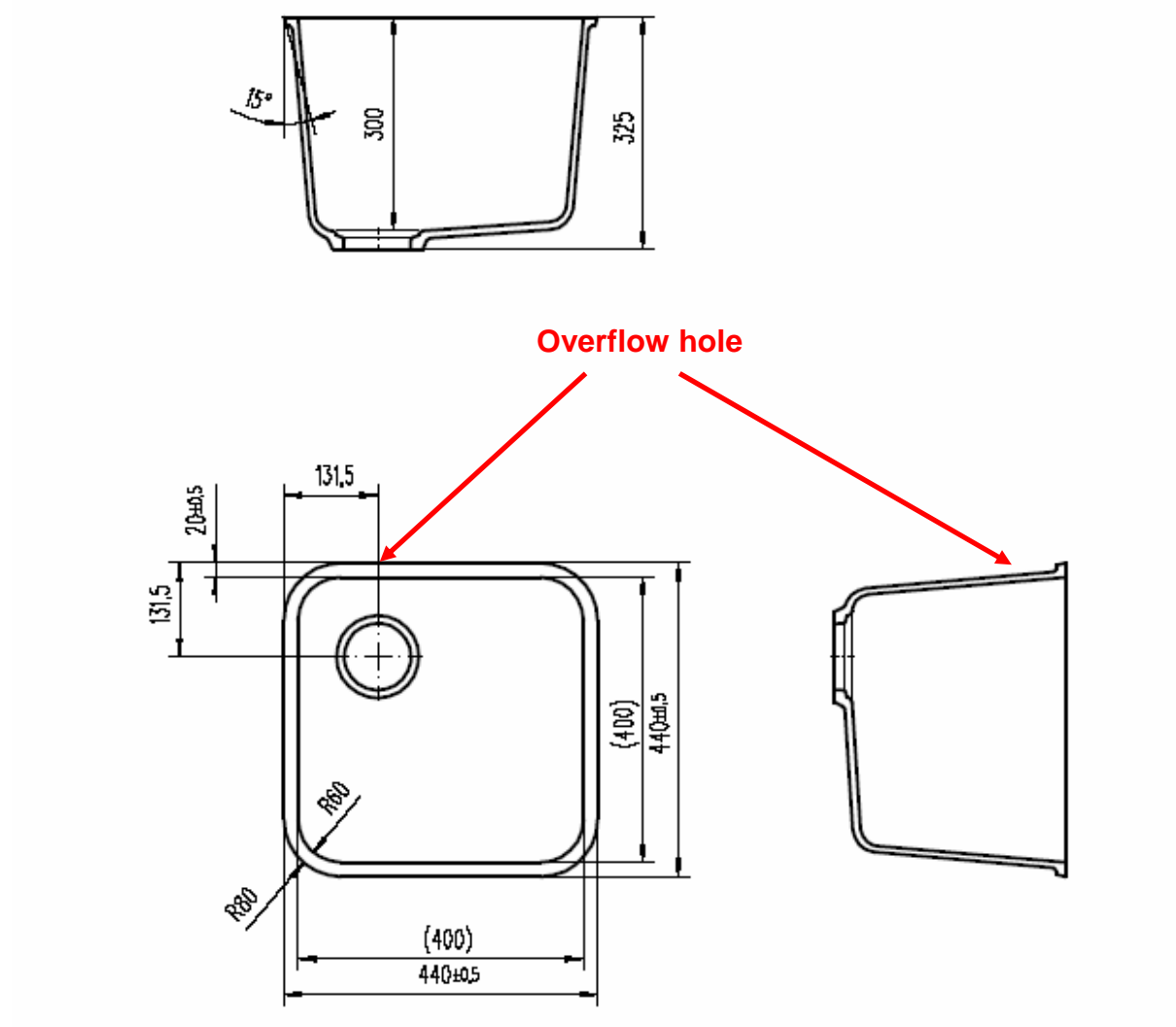
CB422



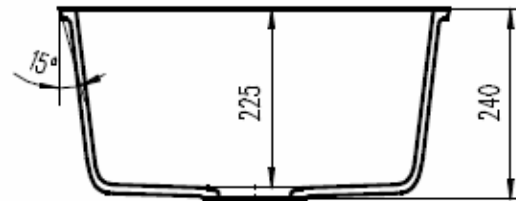
Overflow hole



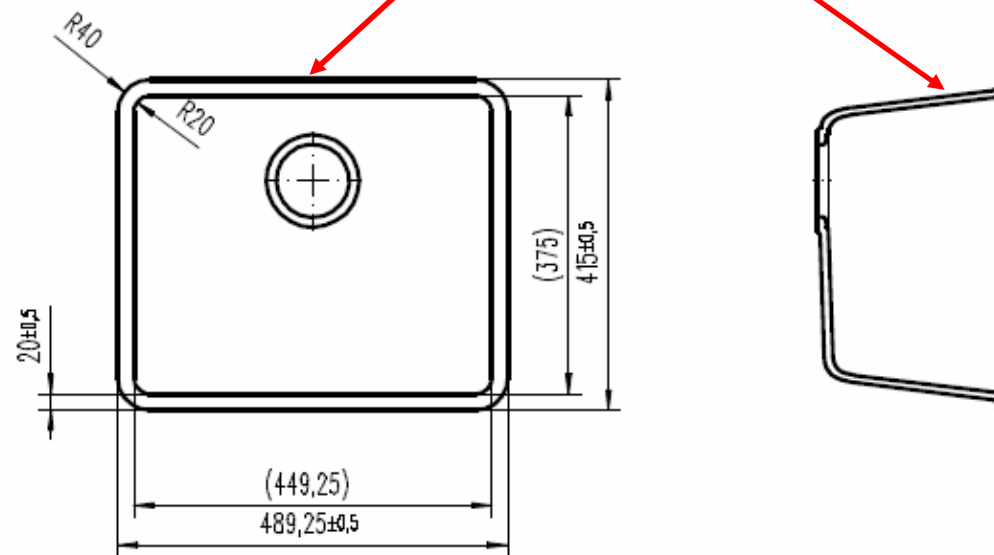
CS400S



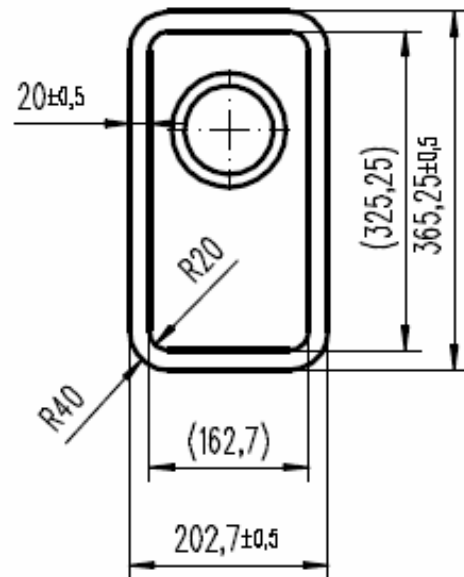
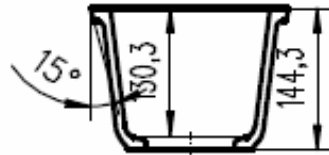
CS449RL



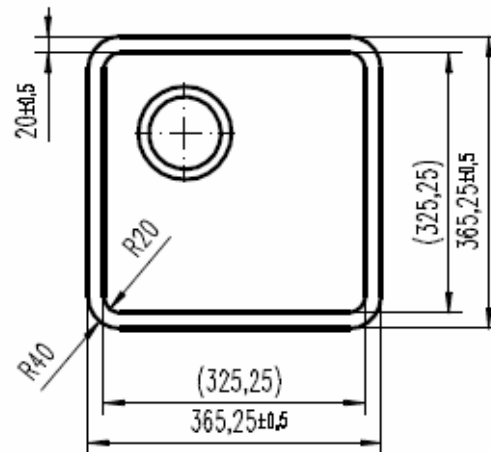
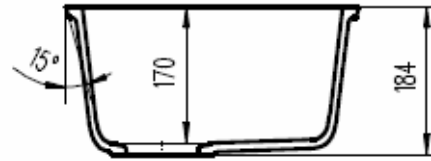
Overflow hole



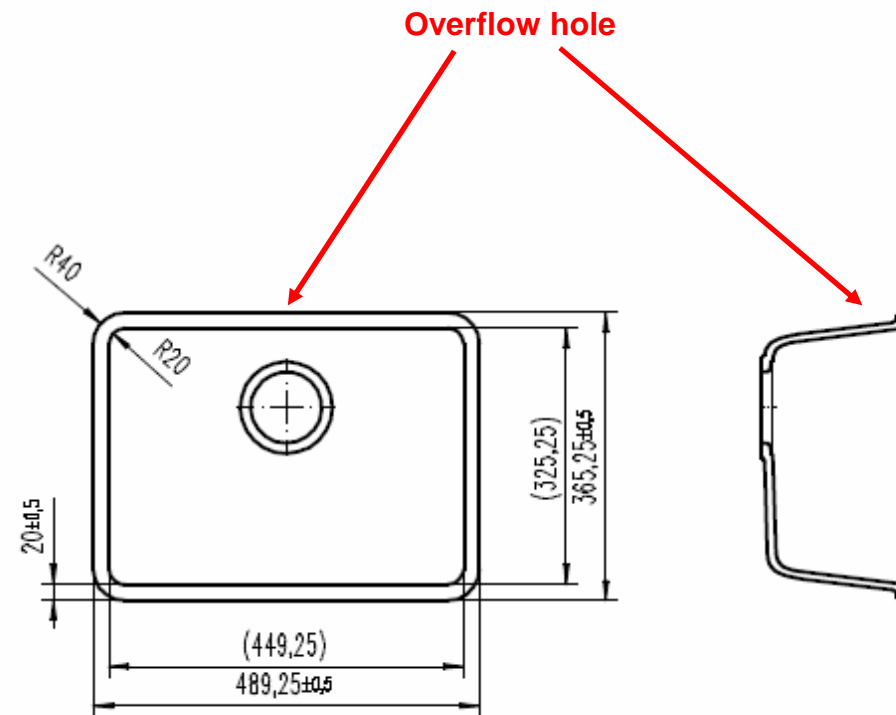
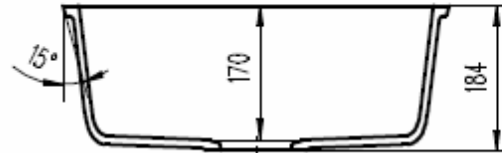
CS325R



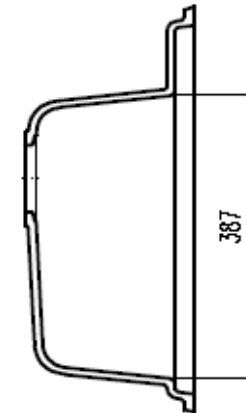
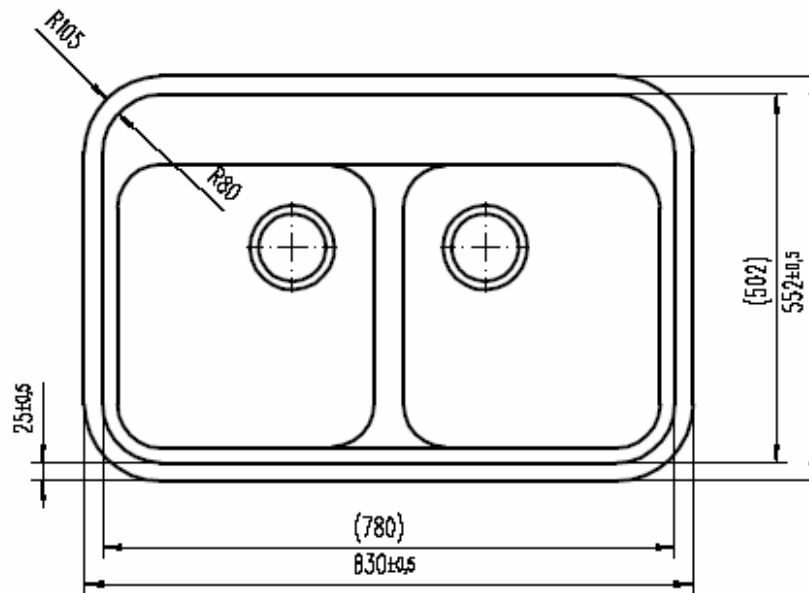
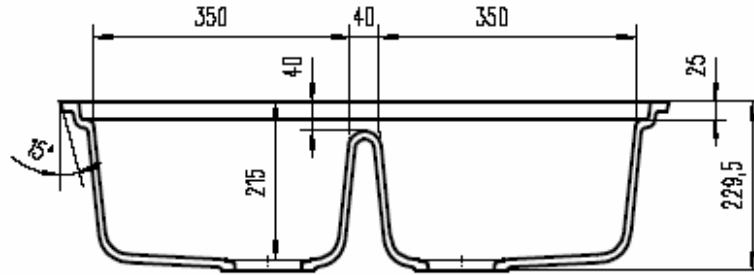
CS325S



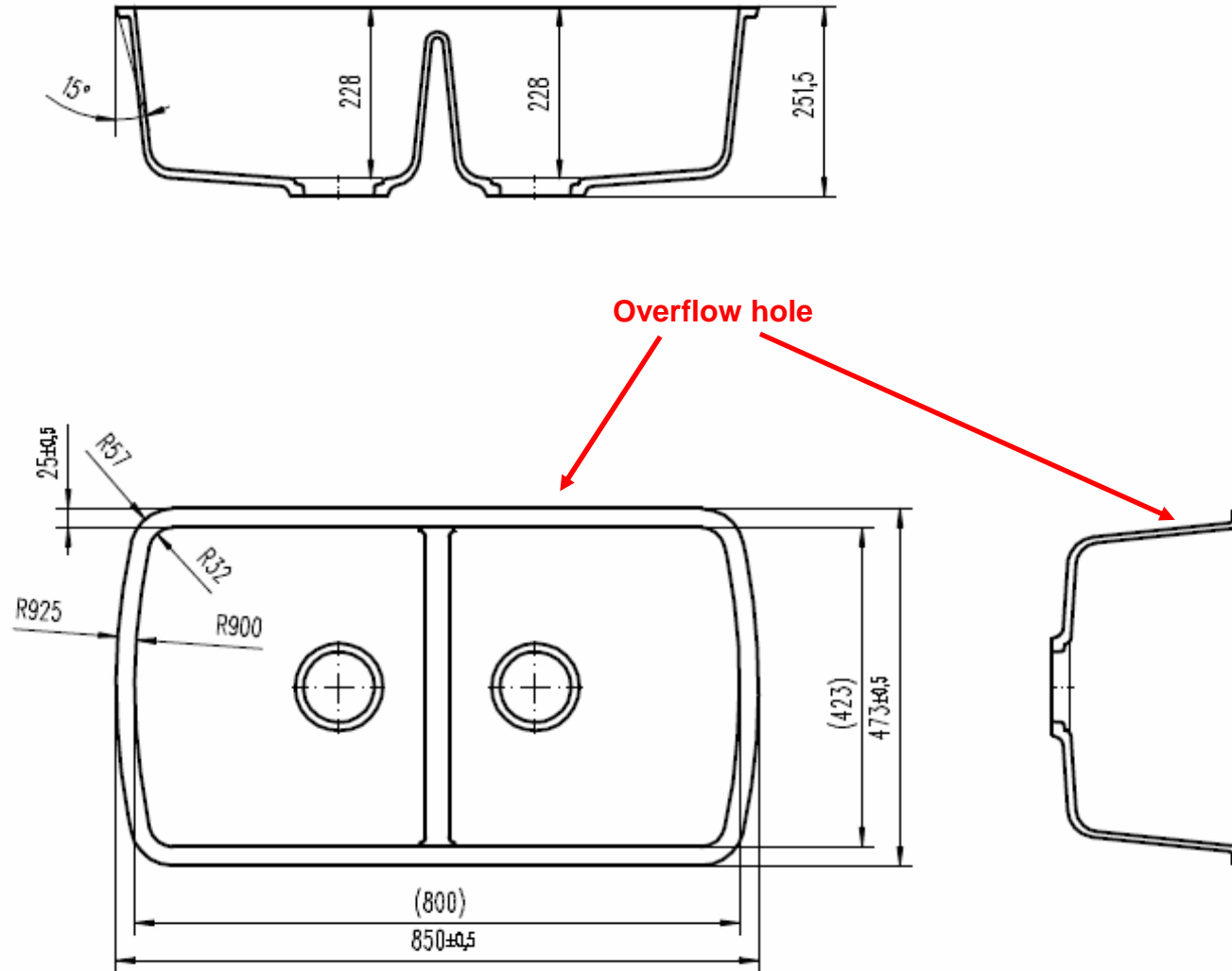
CS449RS



CS780D

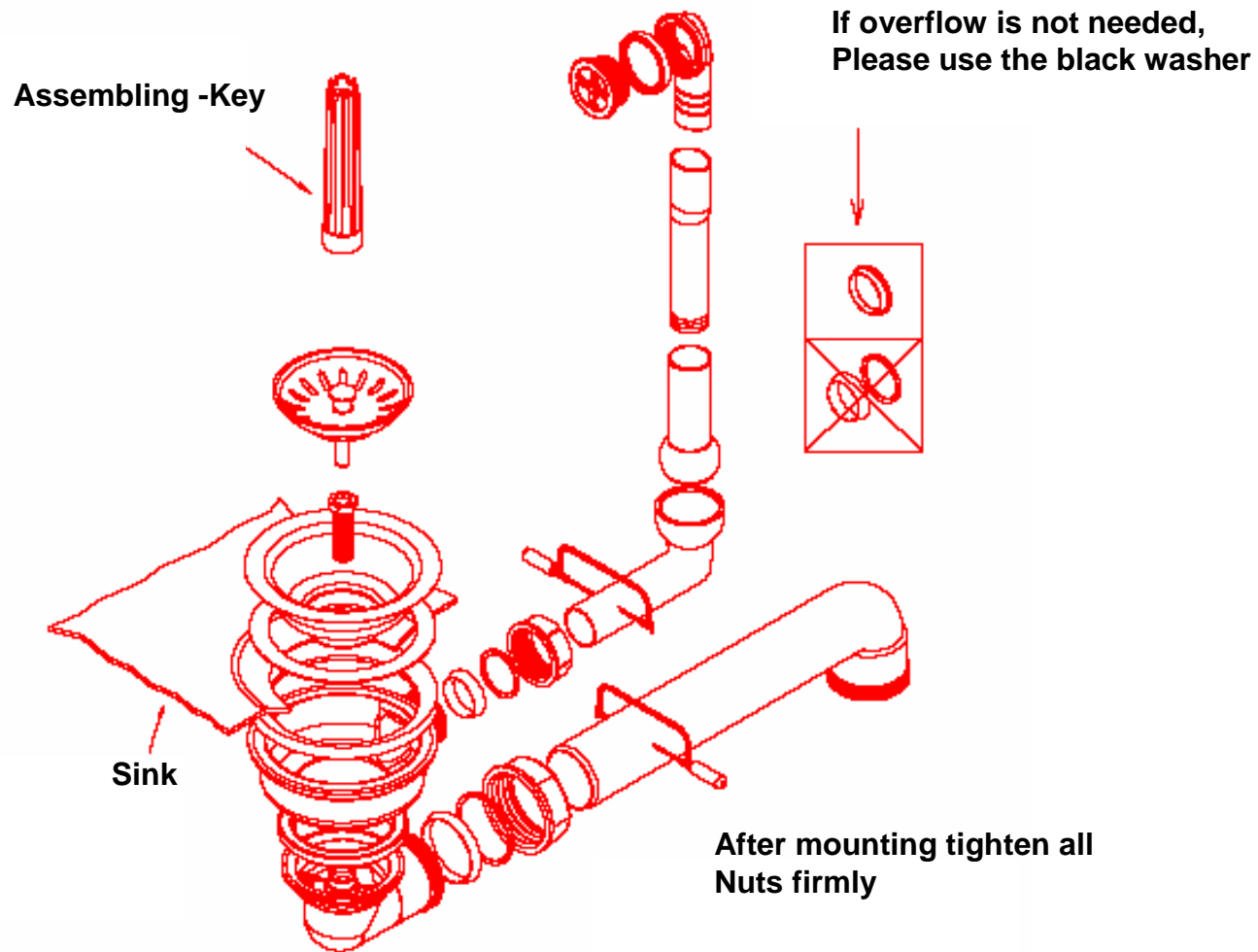


CS800D



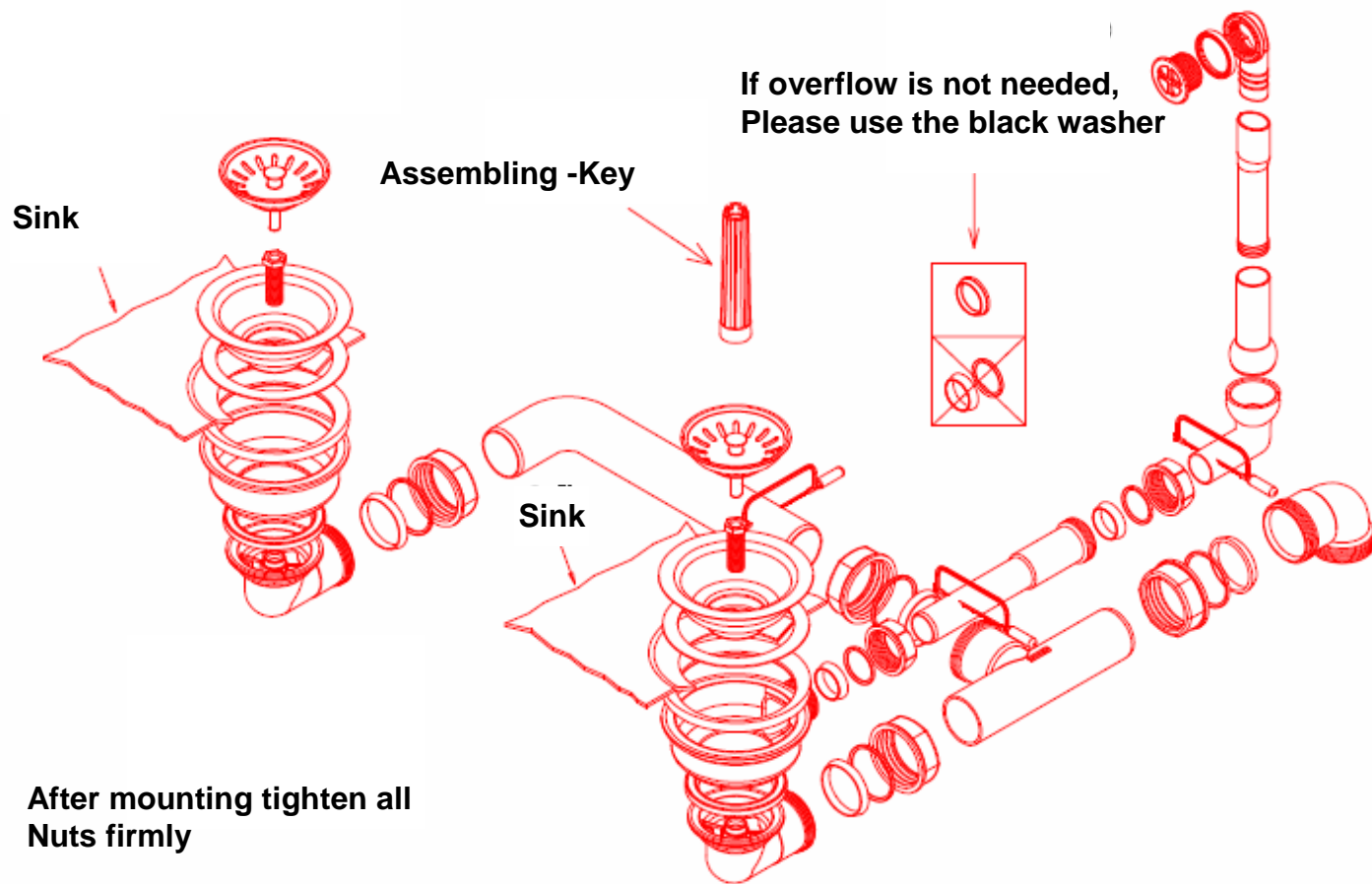
Manual basket drainer and pipe set for single sink

(Code = CSDRAINMANSINGLE)



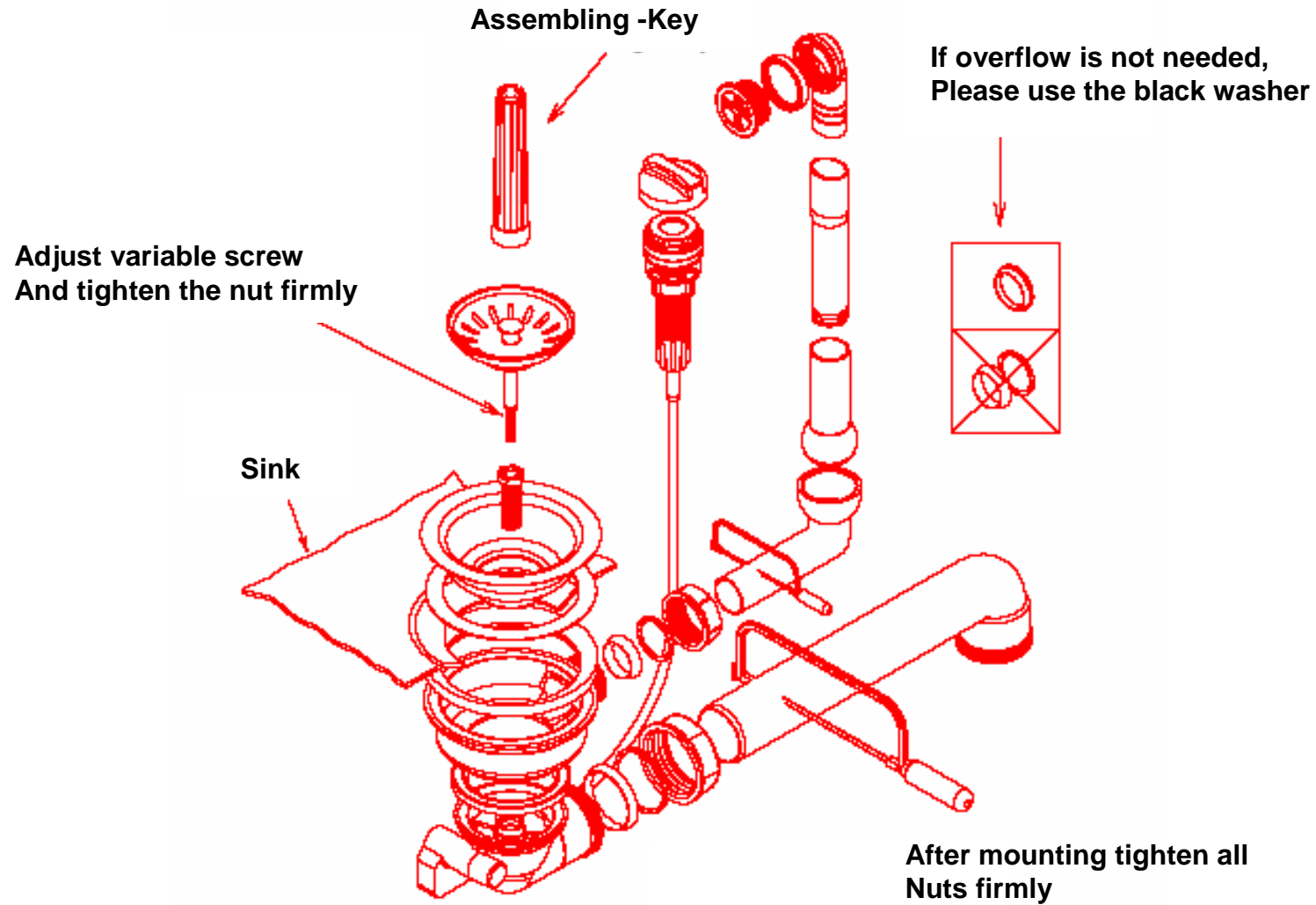
Manual basket drainer and pipe set for double sink

(Code = CSDRAINMANDOUBLE)



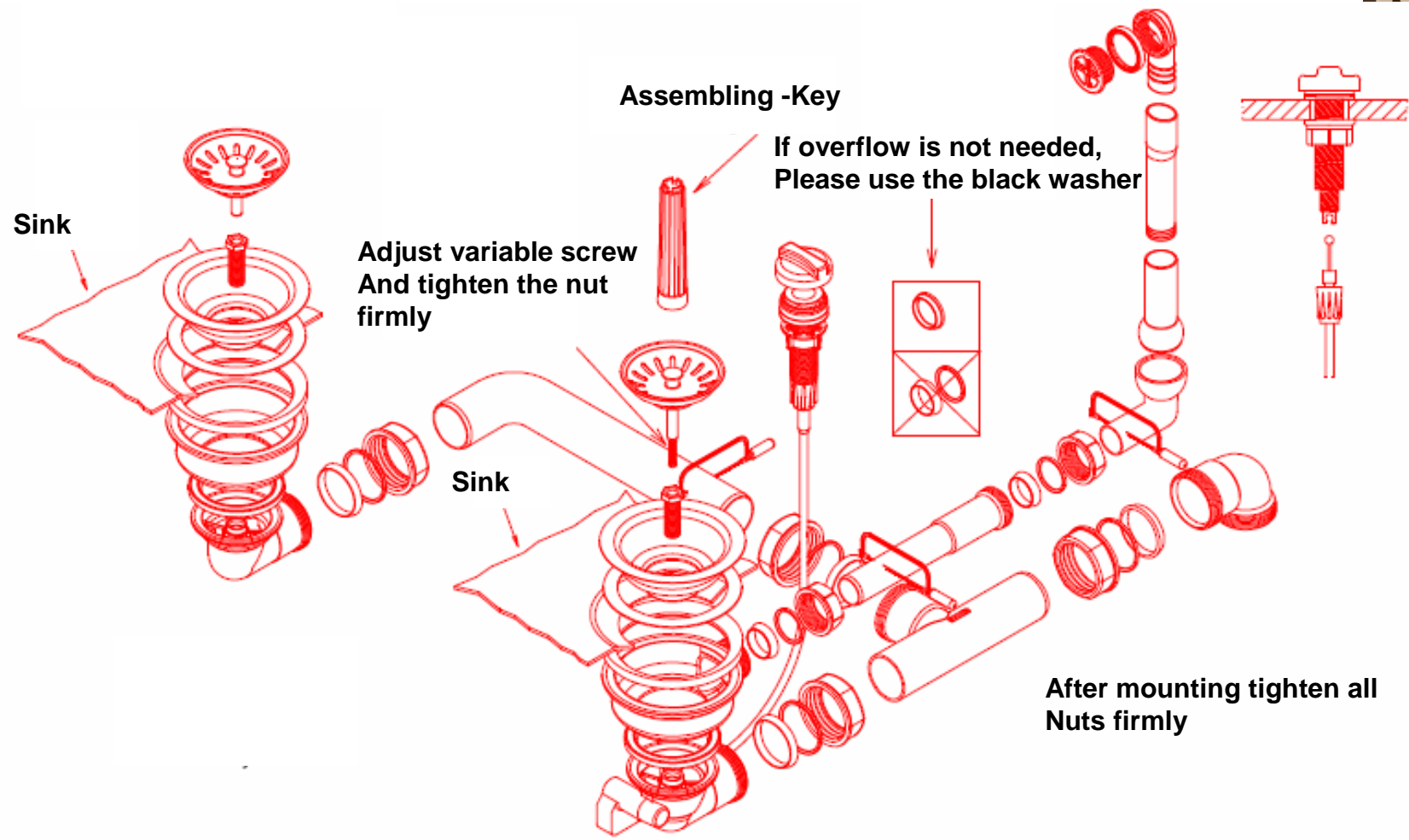
Automatic basket drainer and pipe set for single sink

(Code = CSDRAINAUTSINGLE)



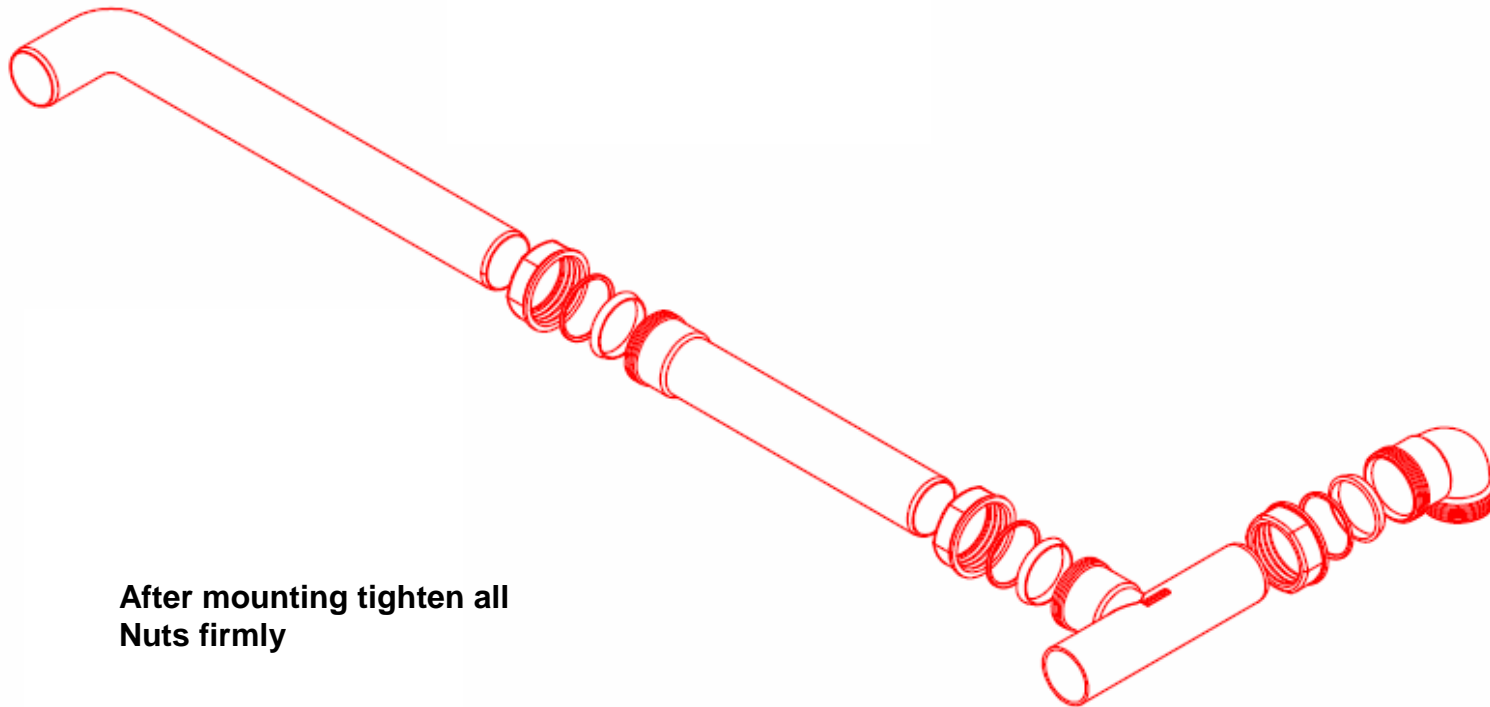
Automatic basket drainer and pipe set for double sink

(Code = CSDRAINAUTODOUBLE)



Combination set for 2 sinks

(Code = CSDRAINCOMBSET)



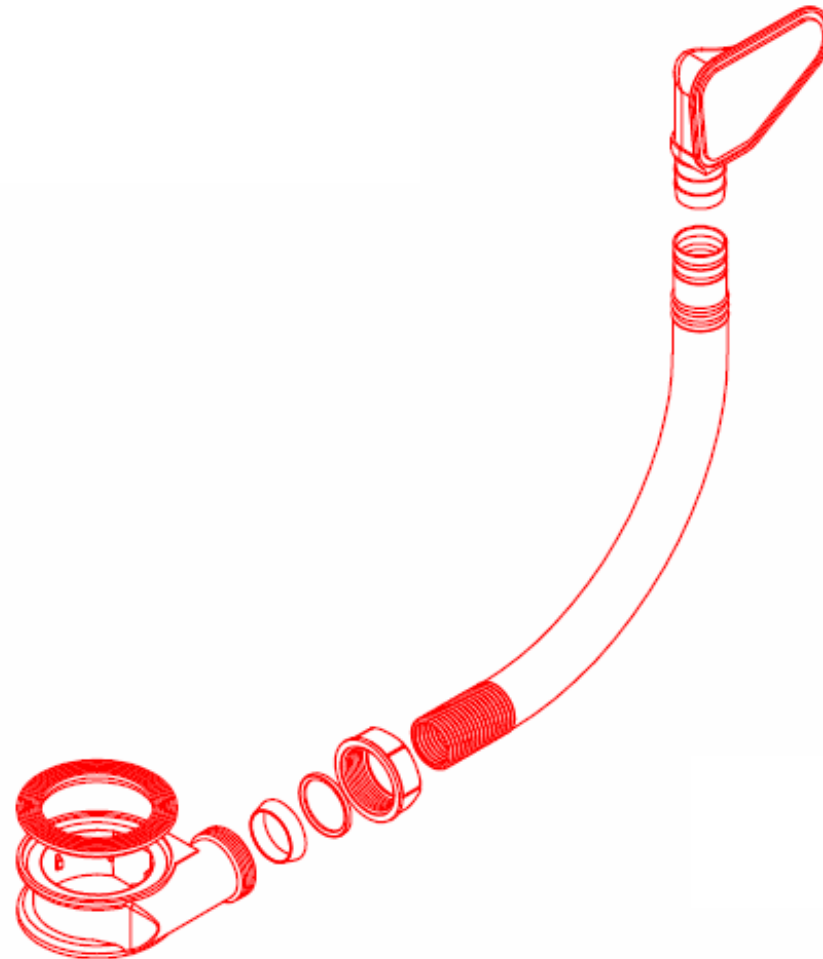
**After mounting tighten all
Nuts firmly**

Overflow Pipe only

(Code = CBOVERFLOWPIPE)

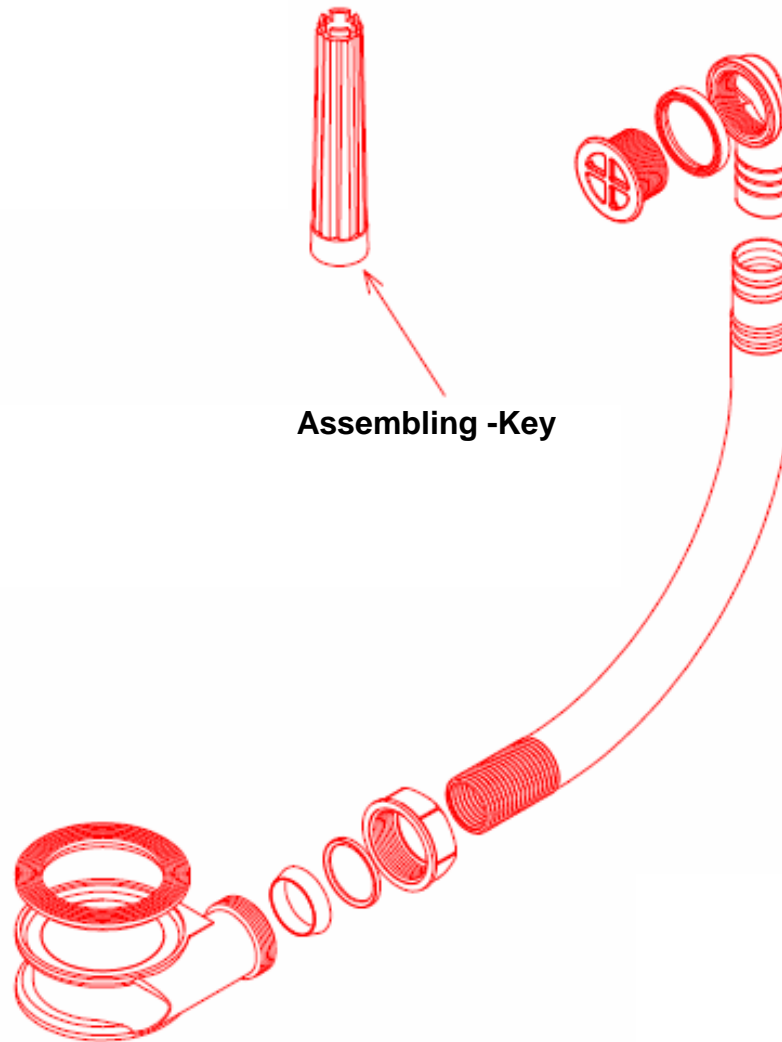


After mounting tighten all Nuts firmly



Overflow pipe and cover

(Code = CBOVERFL.PIPE+CV)



After mounting tighten all Nuts firmly